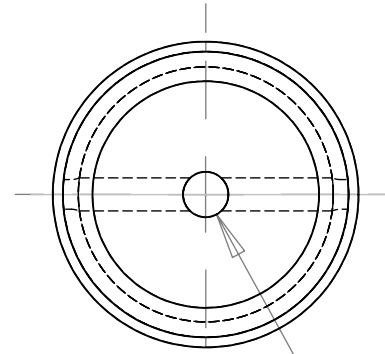
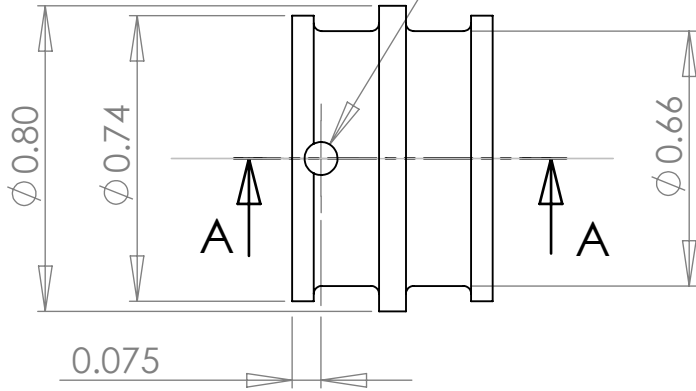
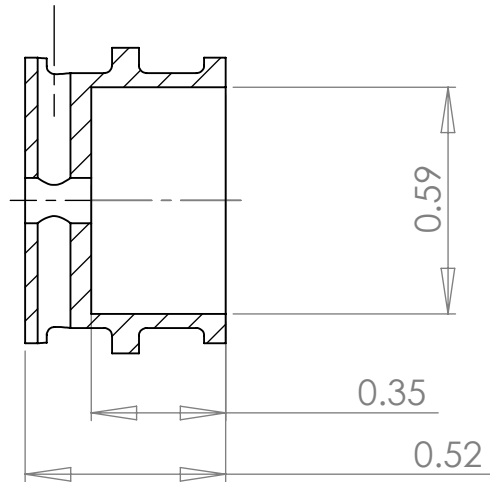


Ø 0.09 THRU ALL
TAP 4-40 UNC -2B THRU ALL




Ø 3MM THRU, +0.0/-0.1
or 1/16" pilot hole
Rev A



A-A

		REVISIONS		
ZONE	REV.	DESCRIPTION	DATE	APPROVED
	A	Increase Shaft dia. from 2mm to 3mm	Mar2107	

		DIMENSIONS ARE IN INCHES TOLERANCES: FRACTIONAL ± 1/16" ANGULAR: MACH BEND ± TWO PLACE DECIMAL ± 0.020 THREE PLACE DECIMAL ± 0.005		NAME DMH	DATE Jun24'03	 <p>Solarbotics Ltd. 3740d - 11a St N.E. Calgary, Alberta, Canada T2E 2K5 Ph: (403) 232 6268 Fx: (403) 226 3741</p>
		MATERIAL Al	FINISH --	CHECKED		
NEXT ASSY	USED ON			ENG APPR.		
APPLICATION		DO NOT SCALE DRAWING		MFG APPR.		
				Q.A.		SIZE A
				COMMENTS:		DWG. NO. RW2i-v3-Milled-Internal
						REV. A
						SCALE: 2:1
						WEIGHT:
						SHEET 1 OF 1