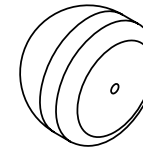
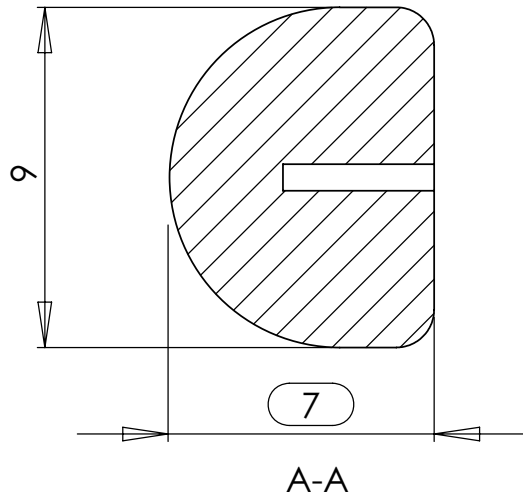
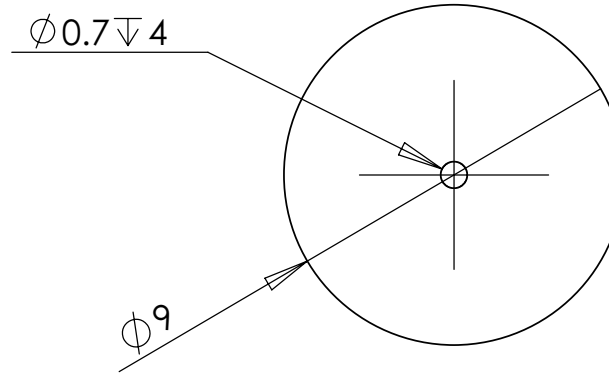


Rolling Surfaces



2:1 ISOMETRIC

DIMENSIONS ARE MM TOLERANCES: ANGULAR: MACH ± BEND ± WHOLE # ± 0.5MM ONE PLACE DECIMAL ± 0.1MM TWE PLACE DECIMAL ± 0.25MM		NAME	DATE	
MATERIAL 90D Thrm. Plstc.		DRAWN	DMH May1615	
DO NOT SCALE DRAWING		CHECKED		
		ENG APPR.		
		MFG APPR.		Solarbotics Ltd. 3740D - 11a St N.E. Calgary, Alberta, Canada T2E-2K5 Ph: (403) 232-6268 Fax: (403) 226-3741
		PRINTED		
		PROPRIETARY AND CONFIDENTIAL		
		THE INFORMATION CONTAINED IN THIS DRAWING IS THE SOLE PROPERTY OF SOLARBOTICS LTD. ANY REPRODUCTION IN PART OR AS A WHOLE WITHOUT THE WRITTEN PERMISSION OF SOLARBOTICS IS PROHIBITED.		SIZE A
		DWG. NO. RWN		REV.
		SCALE: 5:1 WEIGHT:		SHEET:

Rev. Date Revision Details

--	--	--