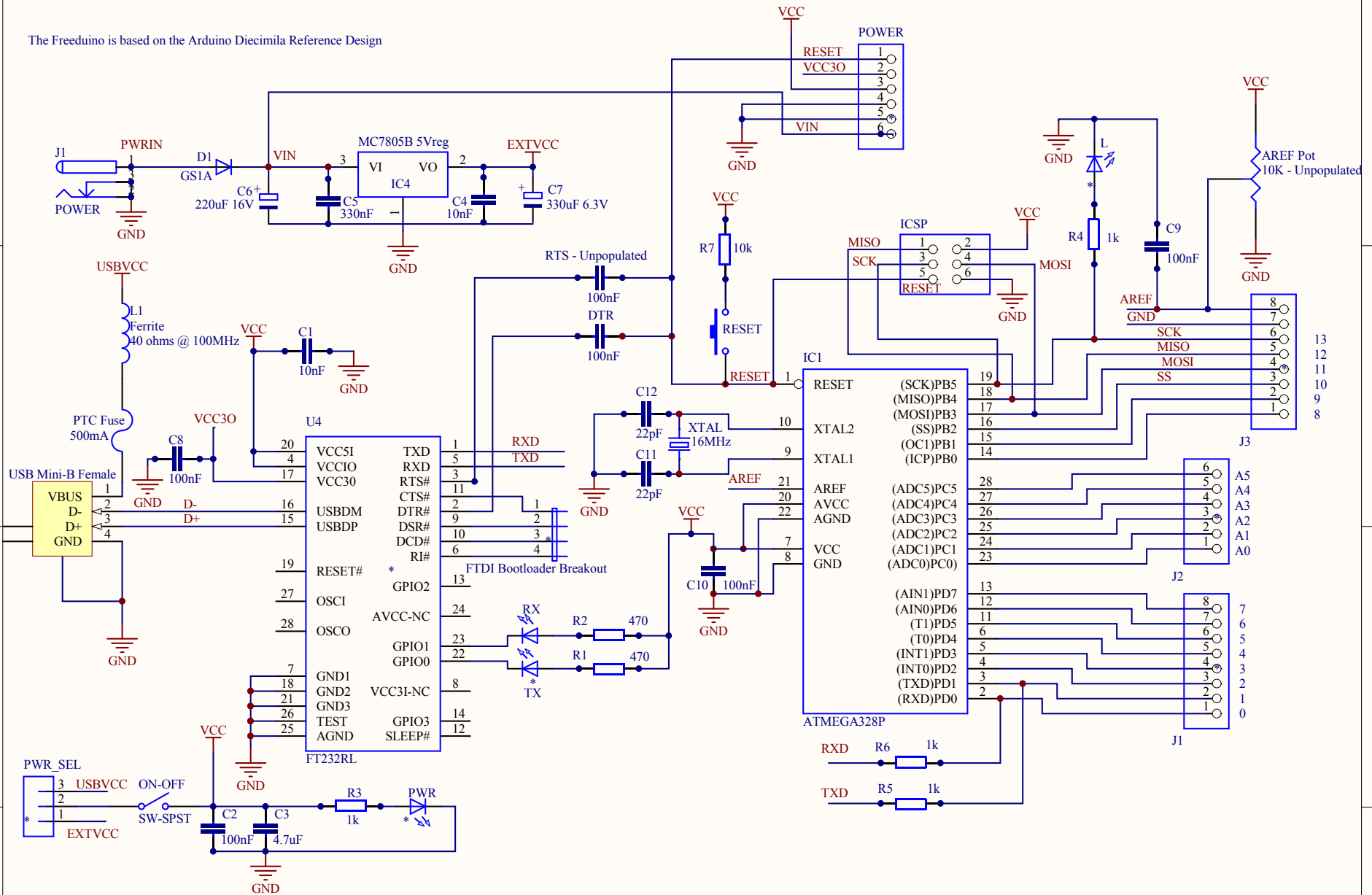


The Freeduino is based on the Arduino Diecimila Reference Design



Released under the Creative Commons Attribution Share-Alike 2.5 License
<http://creativecommons.org/licenses/by-sa/2.5/>



Title		
Freeduino V2.3		
Size	Number	Revision
A		
Date:	2/19/2013	Sheet of
File:	S:\Projects\...\Freeduino.SchDoc	Drawn By: Jeremie Boulianne