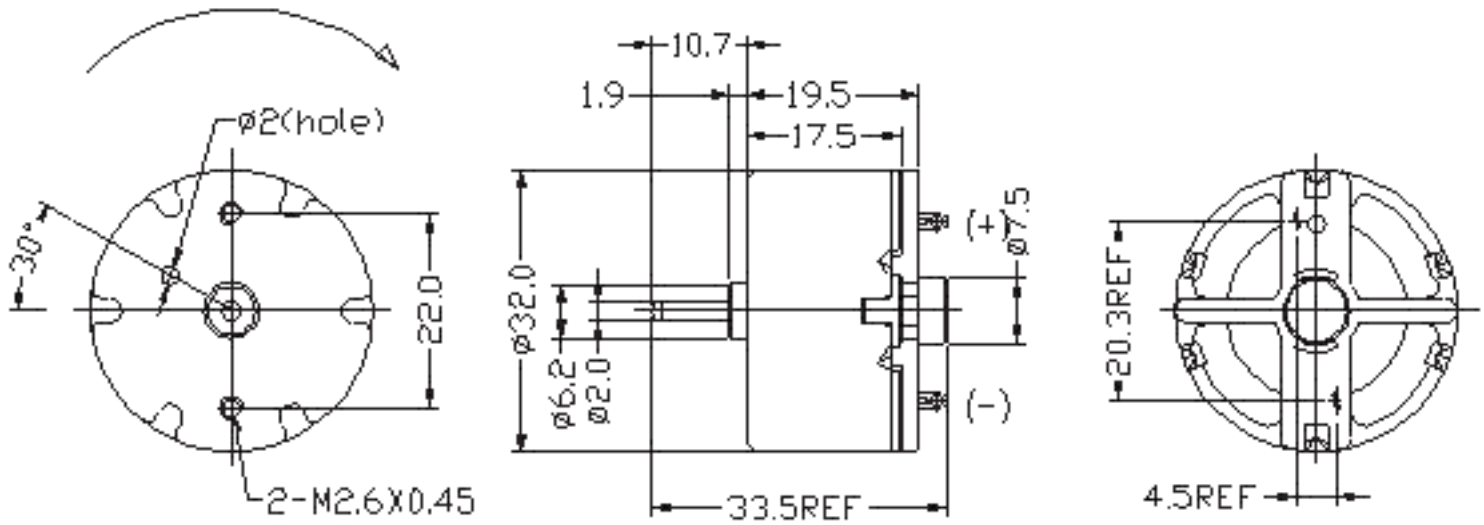


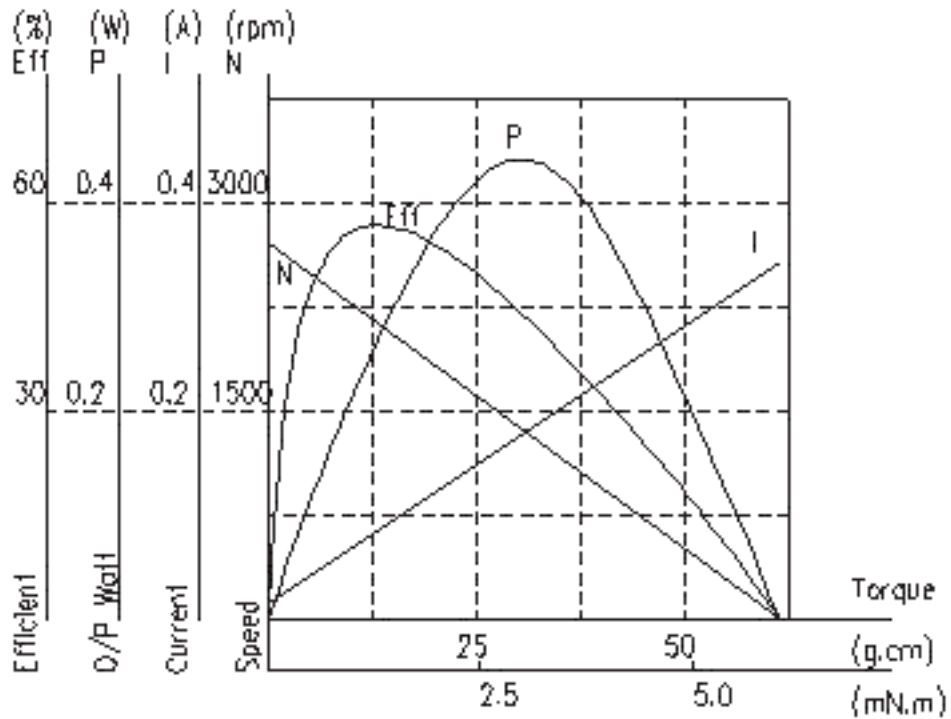
Dimensions

DIRECTION OF ROTATION

Unit: mm



Characteristic Curve



Electrical characteristic for reference only (w/ ±15% tolerance)