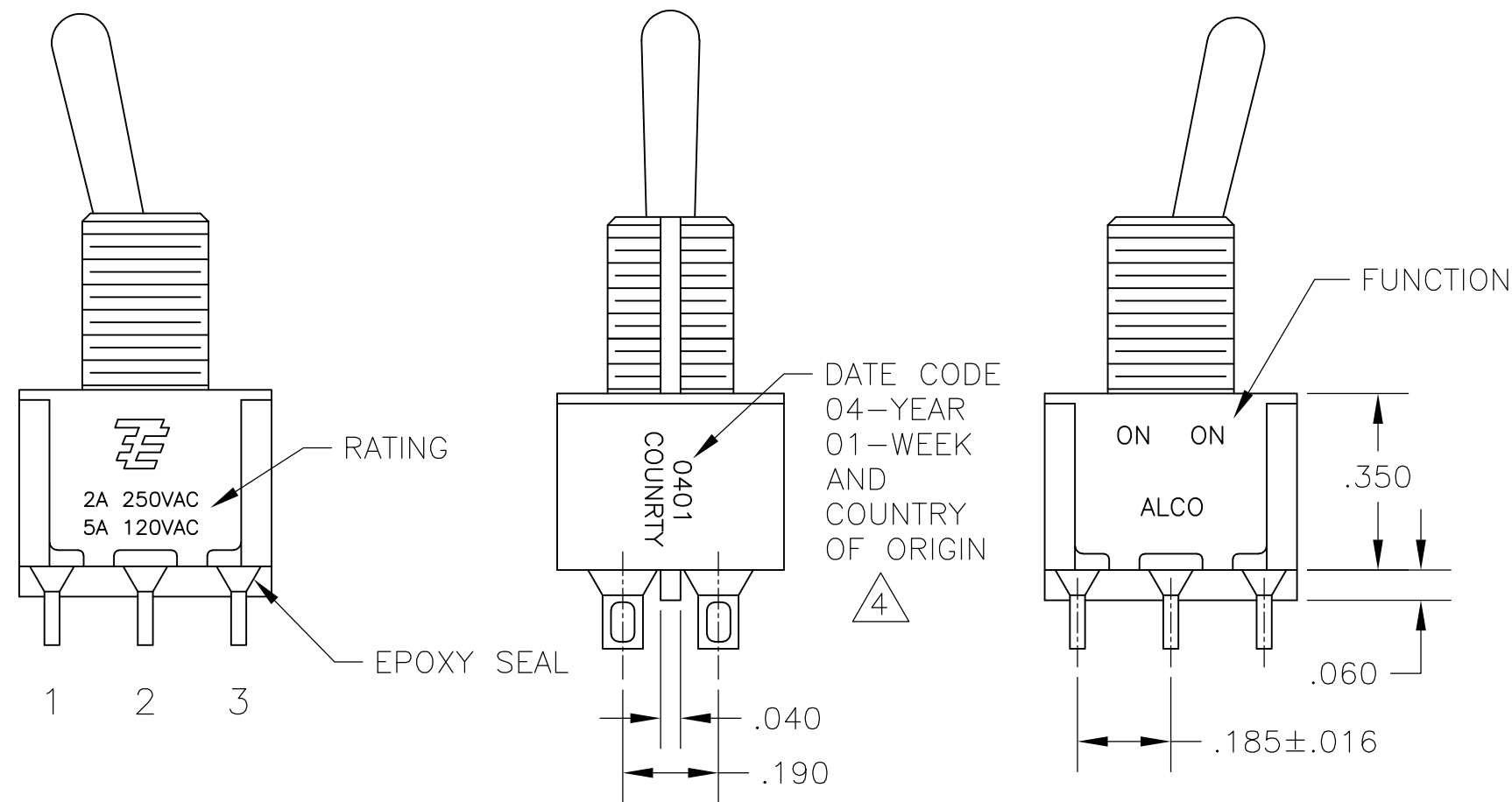
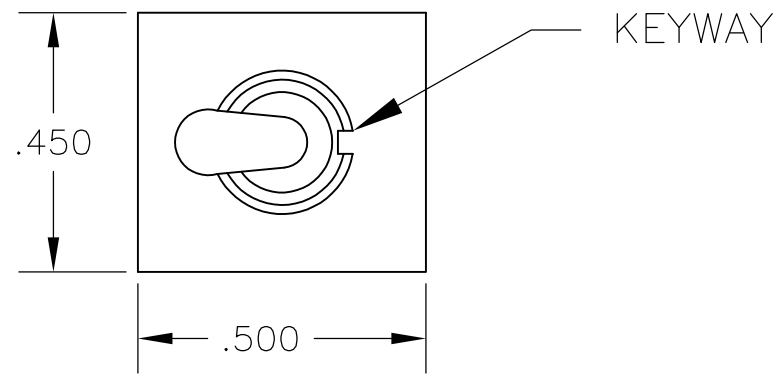


THIS DRAWING IS UNPUBLISHED. RELEASED FOR PUBLICATION
 © COPYRIGHT - By - ALL RIGHTS RESERVED.

| LOC | | DIST | | REVISIONS | | | |
|-----|----|------|-----|---------------------------|---------|-----|------|
| AD | 00 | P | LTR | DESCRIPTION | DATE | DWN | APVD |
| | | A4 | | REVISED PER ECO-11-004587 | 11MAR11 | RK | HMR |

NOTES:

- ALL MATERIALS AND FINISHES SHALL COMPLY WITH EU DIRECTIVE 2002/95/EC OF 27JAN2003 (ROHS).
 - EACH SWITCH WITH THREADED BUSHINGS SUPPLIED WITH THE FOLLWING MOUNTING HARDWARE:
 (2) HEX NUTS
 (1) INTERNAL TOOTH LOCKWASHER
 (1) LOCATING RING.
 - G CONTACT OPTION CAN BE USED FOR SIGNAL OR POWER LEVEL SWITCHING. IF SWITCH IS USED AT LEVELS EXCEEDING .4VA @ 20V AC/DC, SWITCH IS RENDERED FOR POWER SWITCHING ONLY DUE TO ARC REMOVAL OF GOLD PLATING. RATING STAMPED ON FRAME IS 2A 250VAC, 5A 120 VAC.
- △4 DATE CODE AND COUNTRY OF ORIGIN MAY APPEAR ON EITHER SIDE OF SWITCH.
 △5 LENGTH OF TOGGLE REDUCED BY .020 WITH A, AV2, V30 OR V40 VERTICAL SUPPORT BRACKET OPTIONS.



| FUNCTION | 1 2 3 4 5 6 | 1 2 3 4 5 6 | 1 2 3 4 5 6 |
|---------------------|----------------|----------------|----------------|
| 01 | ON | NONE | ON |
| 08 | ON | NONE | (ON) |
| TERMINALS CONNECTED | 2-3, 5-6 | --- | 1-2, 4-5 |

None: No mechanical position
 Off: Mechanical position with no electrical connection
 (On): Momentary action

| | |
|---------------------------------|---|
| RATING, B CONTACTS | .4VA MAX @20V MAX. AC OR DC |
| RATING, G CONTACTS—SEE NOTE 3 | .4VA MAX @20V MAX. AC OR DC OR 5A @120 VAC OR 28 VDC (RESISTIVE) |
| | 2A @250 VAC (RESISTIVE) |
| RATING, Q CONTACTS | 5A @120 VAC OR 28 VDC (RESISTIVE) |
| | 2A @250 VAC (RESISTIVE) |
| ELECTRICAL LIFE | 6,000 CYCLES AT RATED LOAD |
| CONTACT RESISTANCE | 10 MILLIOHMS MAX INITIAL @ 2-4VDC, 100ma |
| INSULATION RESISTANCE | 1,000 MEGOHMS MIN |
| DIELECTRIC WITHSTANDING VOLTAGE | 1,000 V RMS AT SEA LEVEL |
| OPERATING TEMPRATURE | -30C TO 85C |

| MODEL | FUNCTION | TOGGLE | BUSHING | TERMINAL | CONTACT | RoHS |
|-------|----------|--------|---------|----------|---------|------|
| A2 | 01 | K | CW | A | B | 04 |
| | | K1 | D | AV2 | G | |
| | 08 | L | D9 | C | Q | |
| | | L1 | H | V30 | | |
| | | L2 | Y | V40 | | |
| | | M | Y9 | V70 | | |
| | | P3 | | W | | |
| | | S | | W4 | | |
| | | T | | Z | | |
| | | T1 | | Z3 | | |

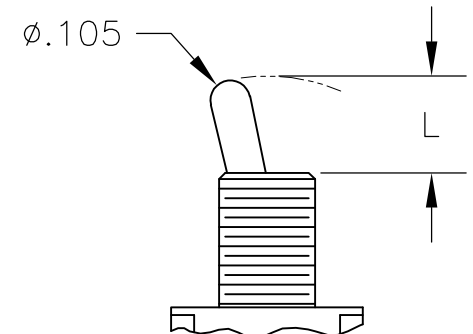
EXAMPLE: A201SYCQ04

| | | | | | |
|---|--|------------------|------------------|---|--------------------|
| THIS DRAWING IS A CONTROLLED DOCUMENT. | | DWN M. ZITTO | 18MAY05 | TE TE Connectivity | |
| DIMENSIONS: INCHES | | CHK M. ZITTO | APVD M. ZITTO | | |
| TOLERANCES UNLESS OTHERWISE SPECIFIED: 0 PLC ± - 1 PLC ± - 2 PLC ± - 3 PLC ± .010 4 PLC ± - ANGLES ± 2° | | PRODUCT SPEC | | NAME GEMINI A SERIES TOGGLE SWITCH, DOUBLE POLE, 2 POSITION FUNCTIONS (01 & 08) | |
| MATERIAL | | APPLICATION SPEC | | SIZE A2 | CAGE CODE 00779 |
| FINISH | | WEIGHT | | DRAWING NO C=1825138 | RESTRICTED TO |
| | | CUSTOMER DRAWING | | SCALE 3:1 | SHEET 1 of 4 |
| | | | | REV A4 | |

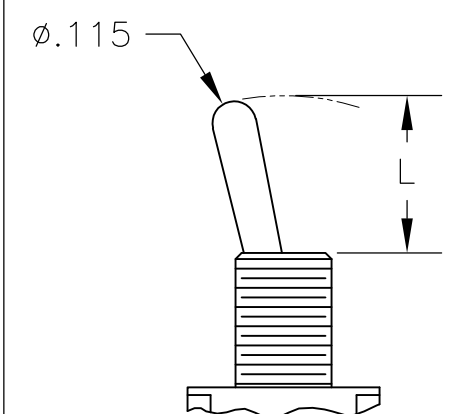
THIS DRAWING IS UNPUBLISHED. RELEASED FOR PUBLICATION
 © COPYRIGHT - By - ALL RIGHTS RESERVED.

| REVISIONS | | | | DATE | DWN | APVD |
|-----------|-----|-------------|---|------|-----|------|
| P | LTR | DESCRIPTION | | | | |
| - | - | SEE SHEET 1 | - | - | - | - |

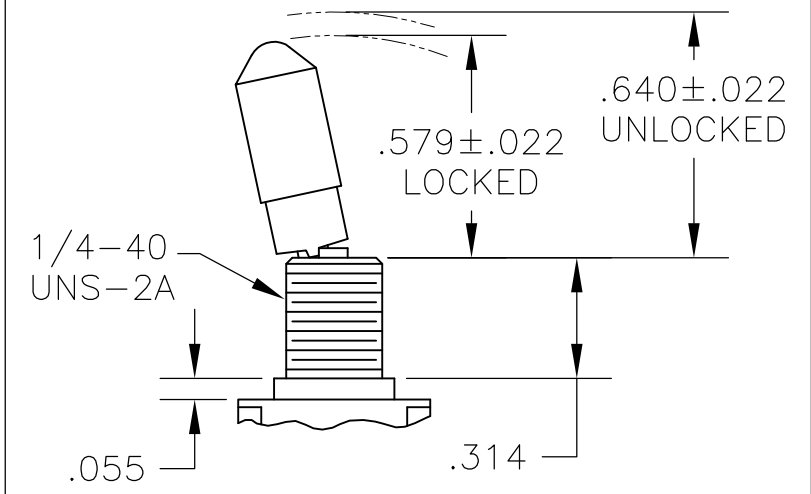
TOGGLES



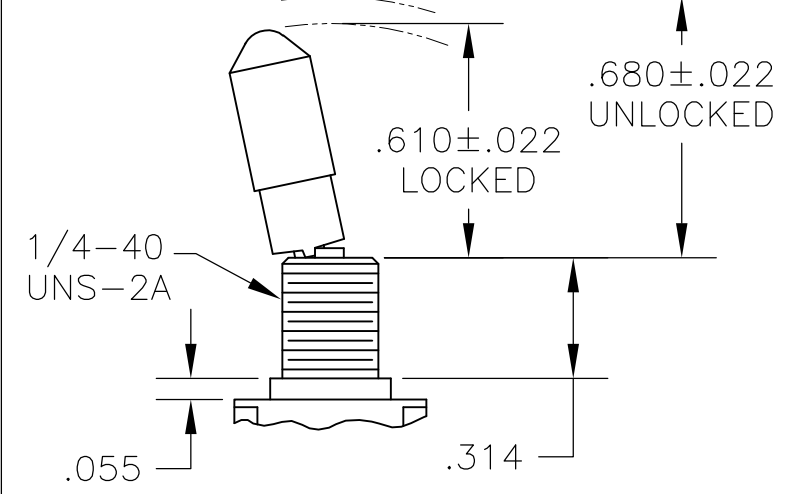
M SHORT



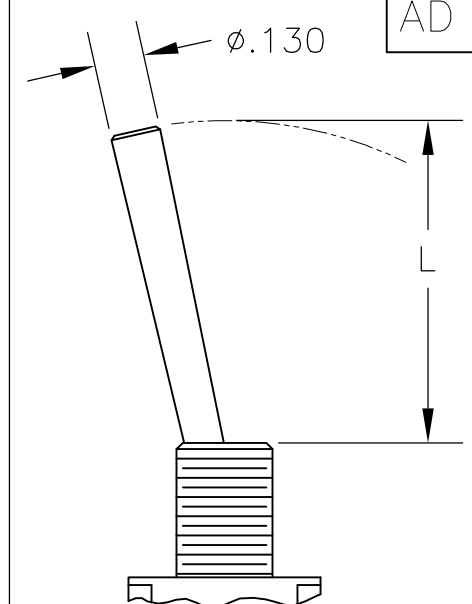
S STANDARD



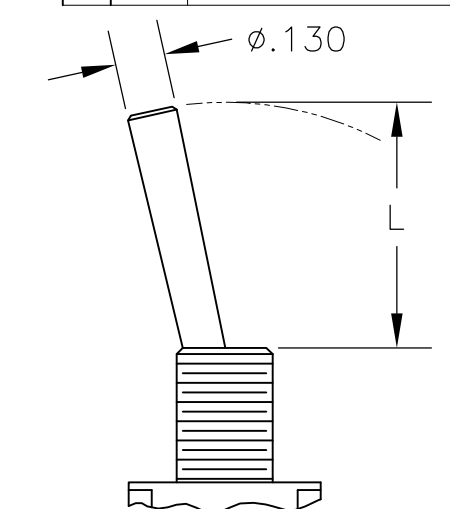
K NO BUSHING OPTION NEEDED



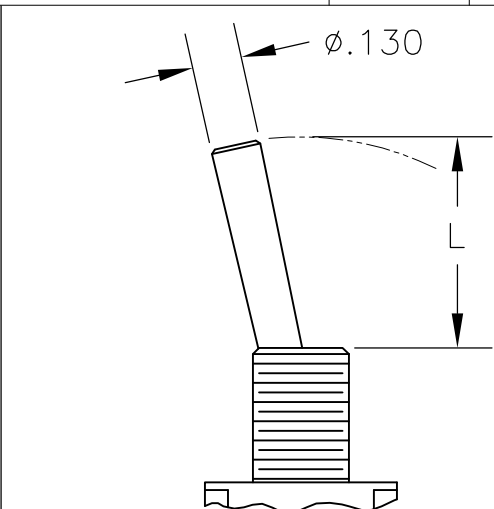
K1 NO BUSHING OPTION NEEDED



L LEVER



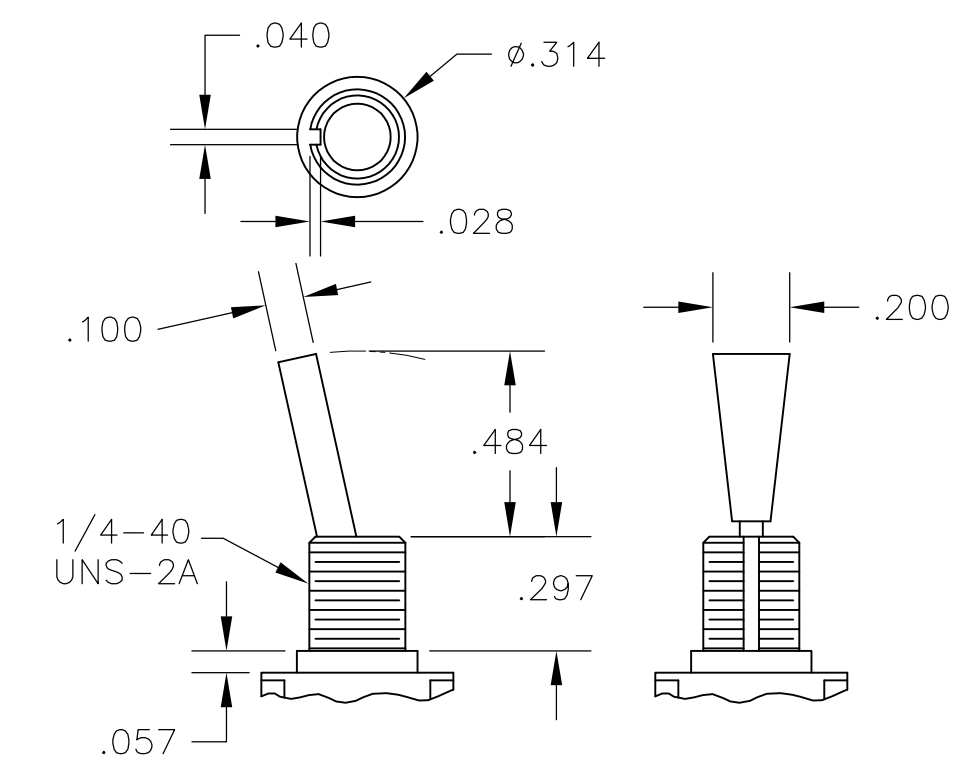
L1 LEVER



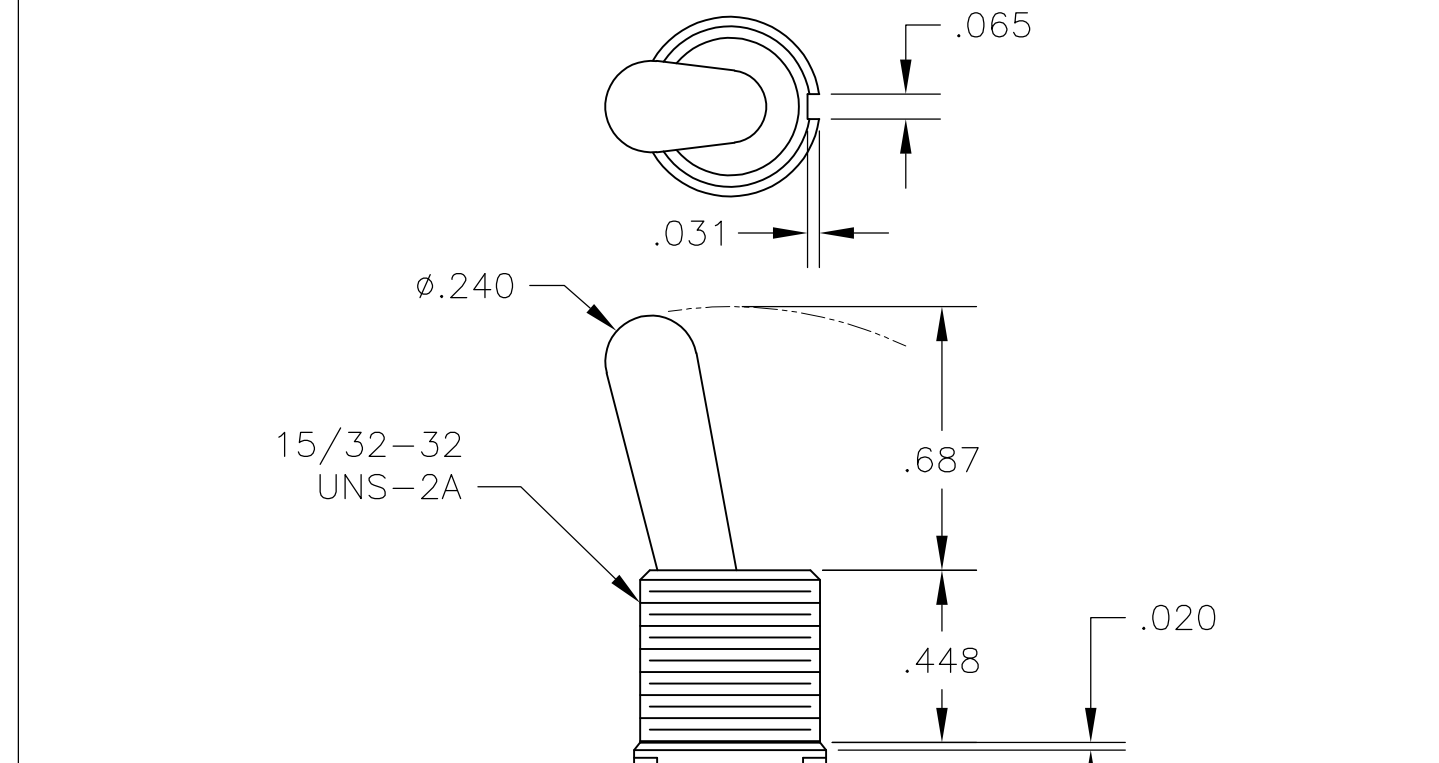
L2 LEVER

| DIM L | BUSHING TYPE | DIM L | BUSHING TYPE |
|-------|--------------|-------|--------------|
| .200 | Y, H | .410 | Y, H |
| .270 | D, D9 | .480 | D, D9 |

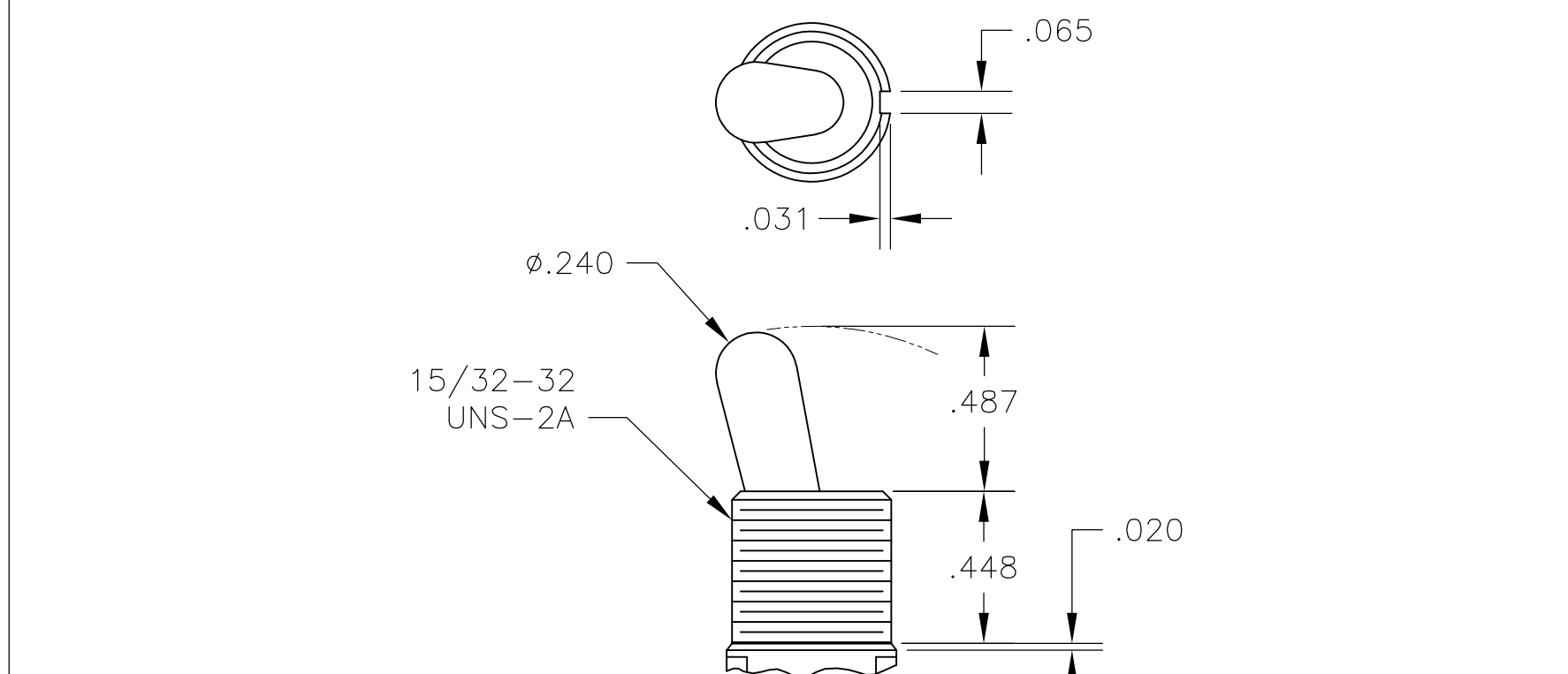
| DIM L | BUSHING TYPE | DIM L | BUSHING TYPE | DIM L | BUSHING TYPE |
|-------|--------------|-------|--------------|-------|--------------|
| .840 | Y, H | .640 | Y, H | .550 | Y, H |
| .910 | D, D9 | .710 | D, D9 | .620 | D, D9 |



P3 NO BUSHING OPTION NEEDED

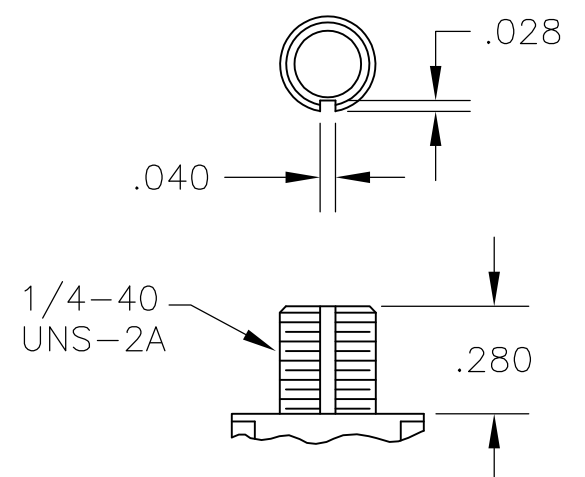


T NO BUSHING OPTION NEEDED

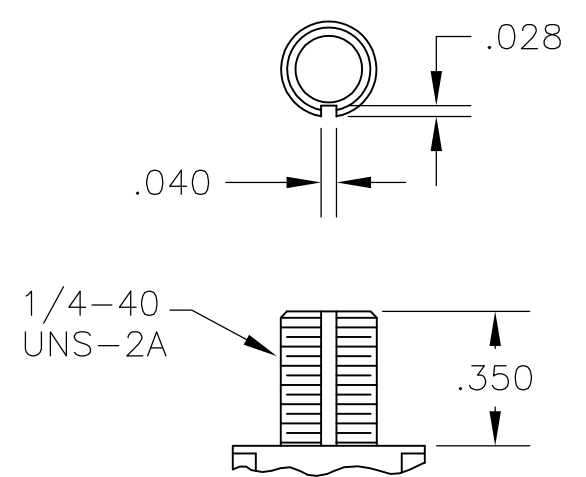


T1 NO BUSHING OPTION NEEDED

BUSHINGS

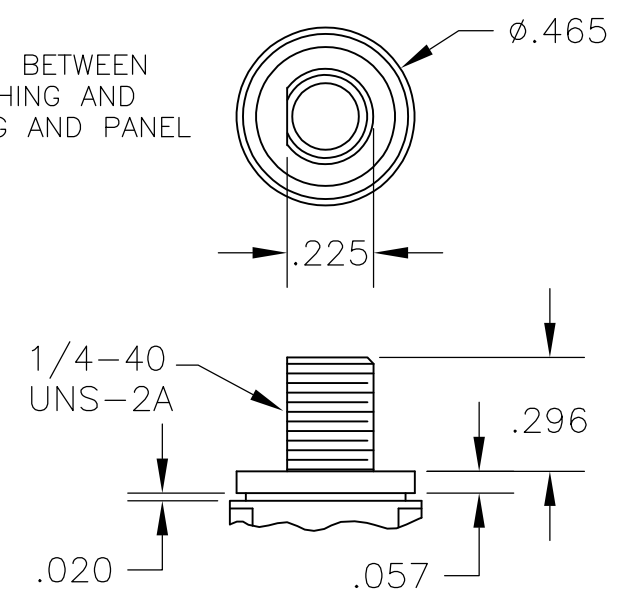


D THREADED
D9 UNTHREADED

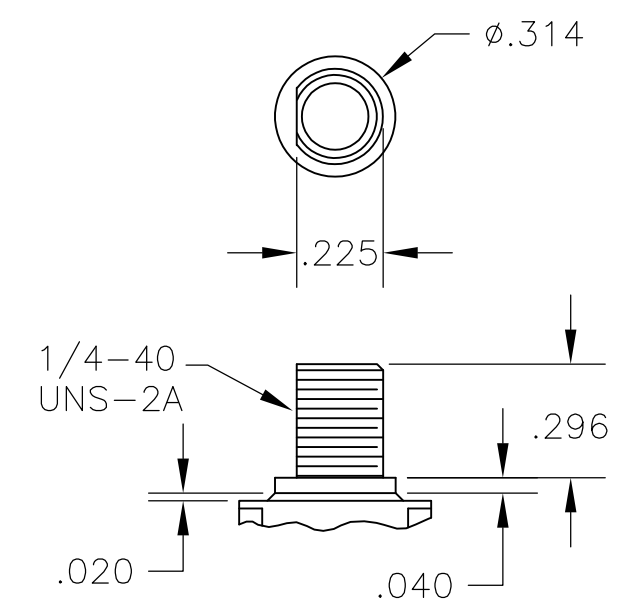


Y THREADED
Y9 UNTHREADED

CONTAINS O-RING BETWEEN TOGGLE AND BUSHING AND BETWEEN BUSHING AND PANEL



CW THREADED SPLASHPROOF



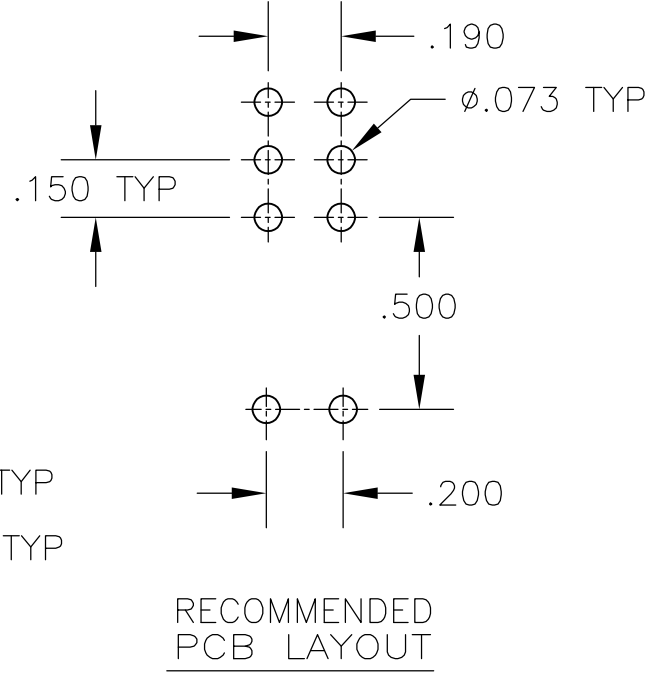
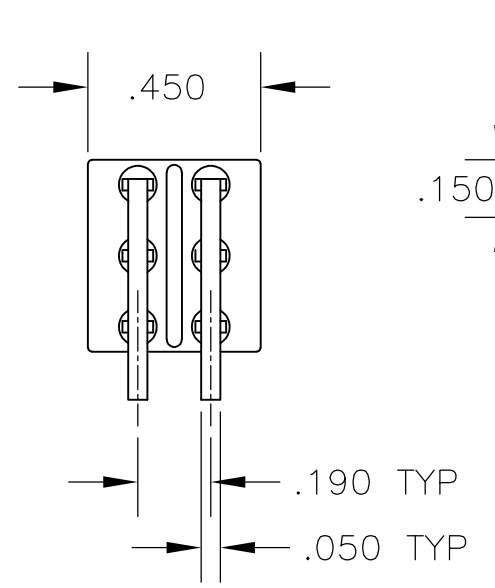
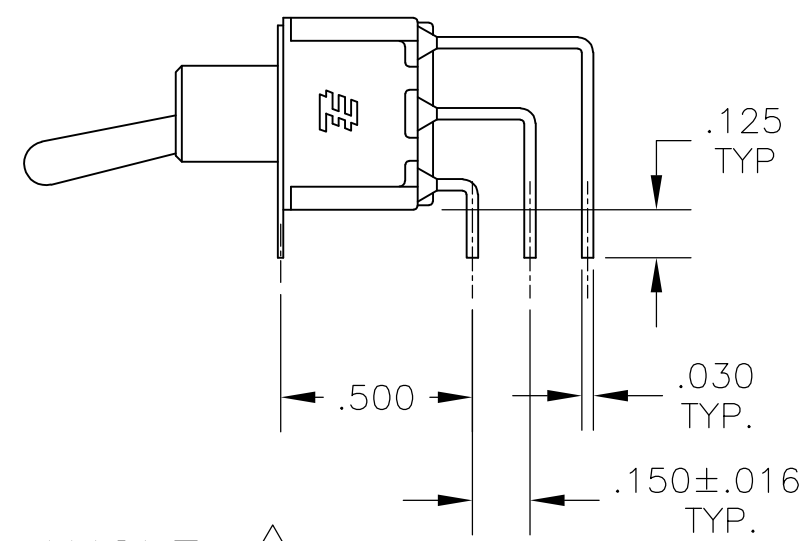
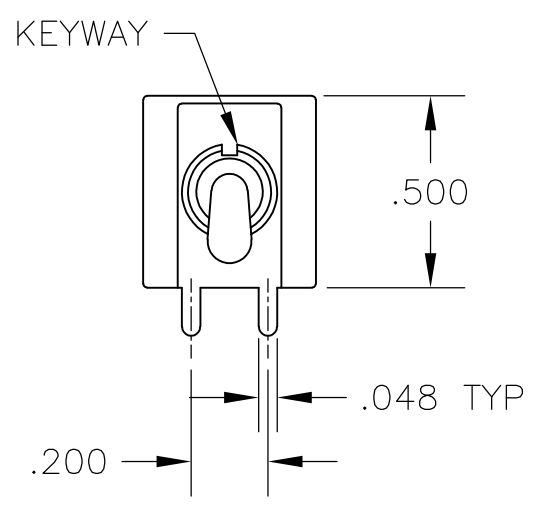
H HIGH TORQUE

THIS DRAWING IS A CONTROLLED DOCUMENT.

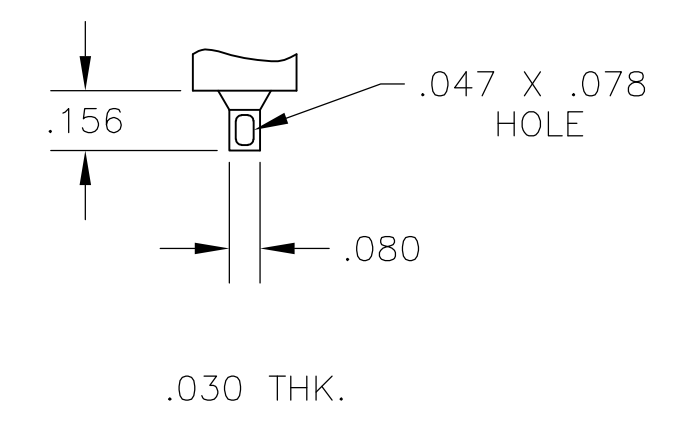
| | | | | | | |
|--------------------|--|----------------------|----------|------------------|---|-----------------------|
| DIMENSIONS: INCHES | TOLERANCES UNLESS OTHERWISE SPECIFIED: | DWN: M. ZITTO | 14APR05 | | TE Connectivity | |
| | 0 PLC ± - | CHK: M. ZITTO | - | | GEMINI A SERIES TOGGLE SWITCH, DOUBLE POLE, 2 POSITION FUNCTIONS (01 & 08) | |
| | 1 PLC ± - | APVD: P. BROUILLETTE | - | | | |
| | 2 PLC ± - | PRODUCT SPEC | - | | | |
| 3 PLC ± .010 | APPLICATION SPEC | - | SIZE: A2 | CAGE CODE: 00779 | | DRAWING NO: C=1825138 |
| 4 PLC ± - | ANGLES ± - | WEIGHT: - | - | SCALE: 2:1 | SHEET: 2 of 4 | REV: A4 |
| MATERIAL: - | FINISH: - | CUSTOMER DRAWING | | | | |

THIS DRAWING IS UNPUBLISHED. RELEASED FOR PUBLICATION
 © COPYRIGHT - By - ALL RIGHTS RESERVED.

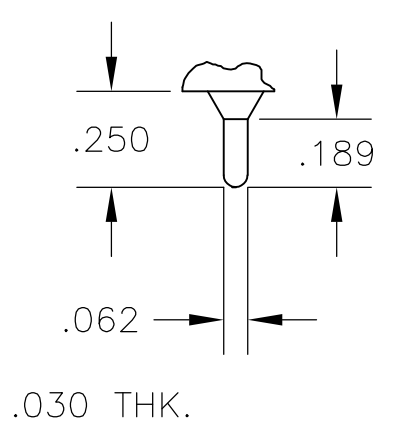
| LOC | | DIST | | REVISIONS | | | | |
|-----|----|------|-----|-------------|------|-----|------|--|
| AD | 00 | P | LTR | DESCRIPTION | DATE | DWN | APVD | |
| | | - | - | SEE SHEET 1 | - | - | - | |



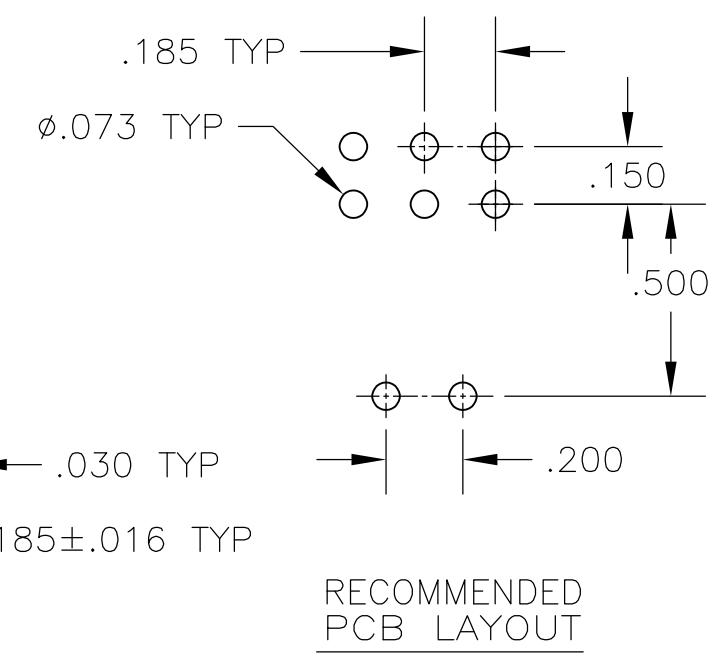
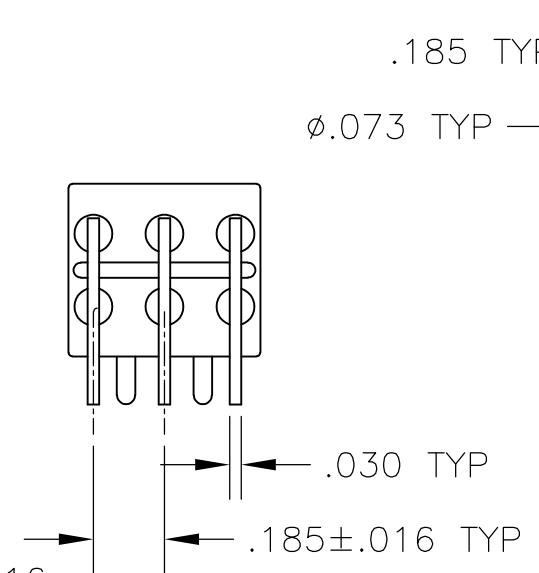
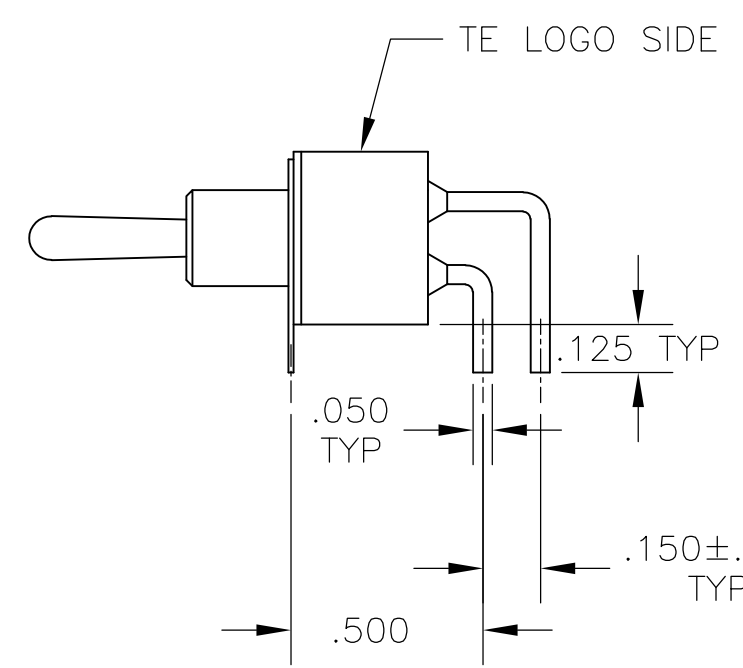
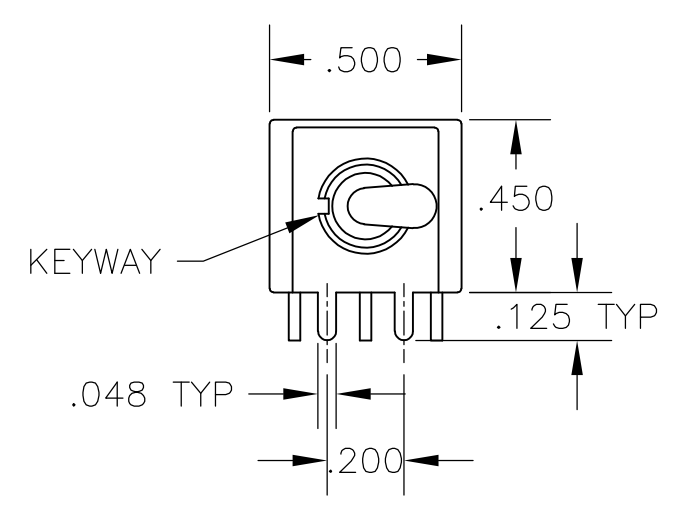
AV2 VERTICAL RIGHT ANGLE $\triangle 5$



Z WIRE LUG

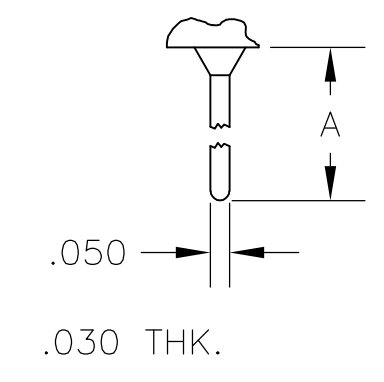


Z3 QUICK CONNECT

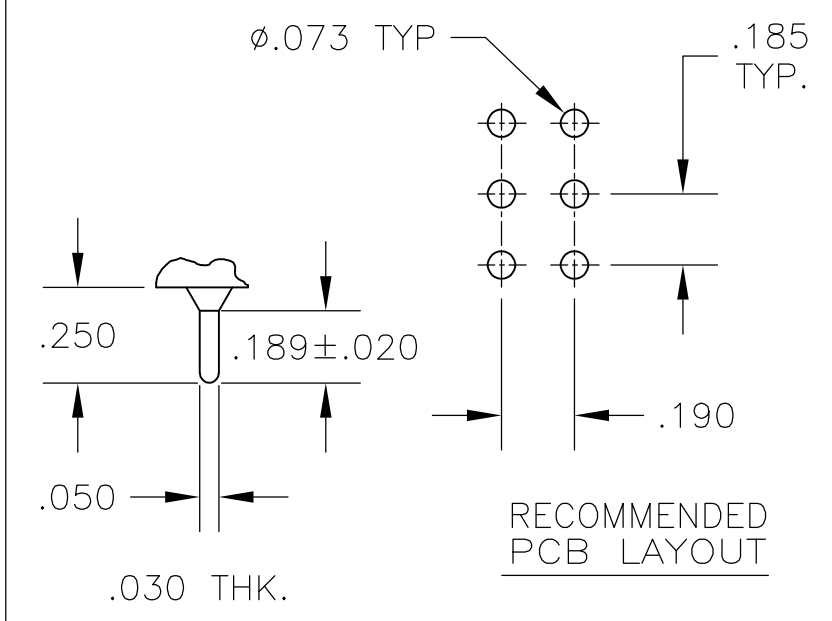


A RIGHT ANGLE $\triangle 5$

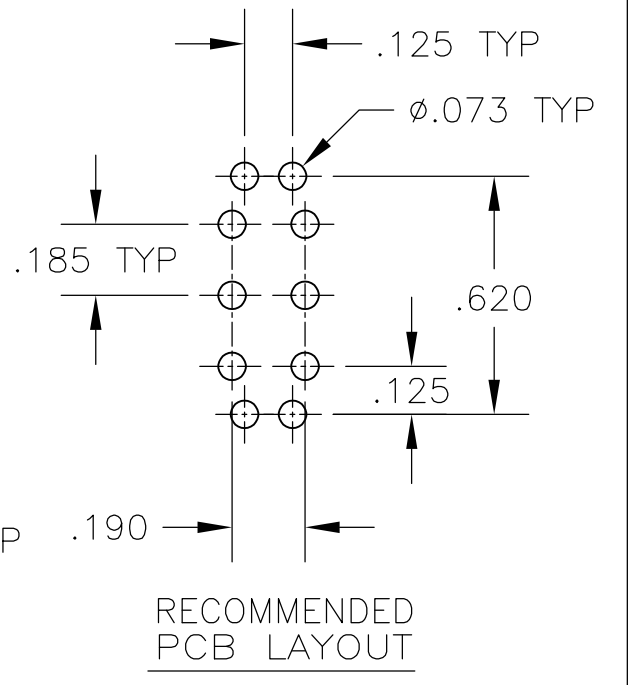
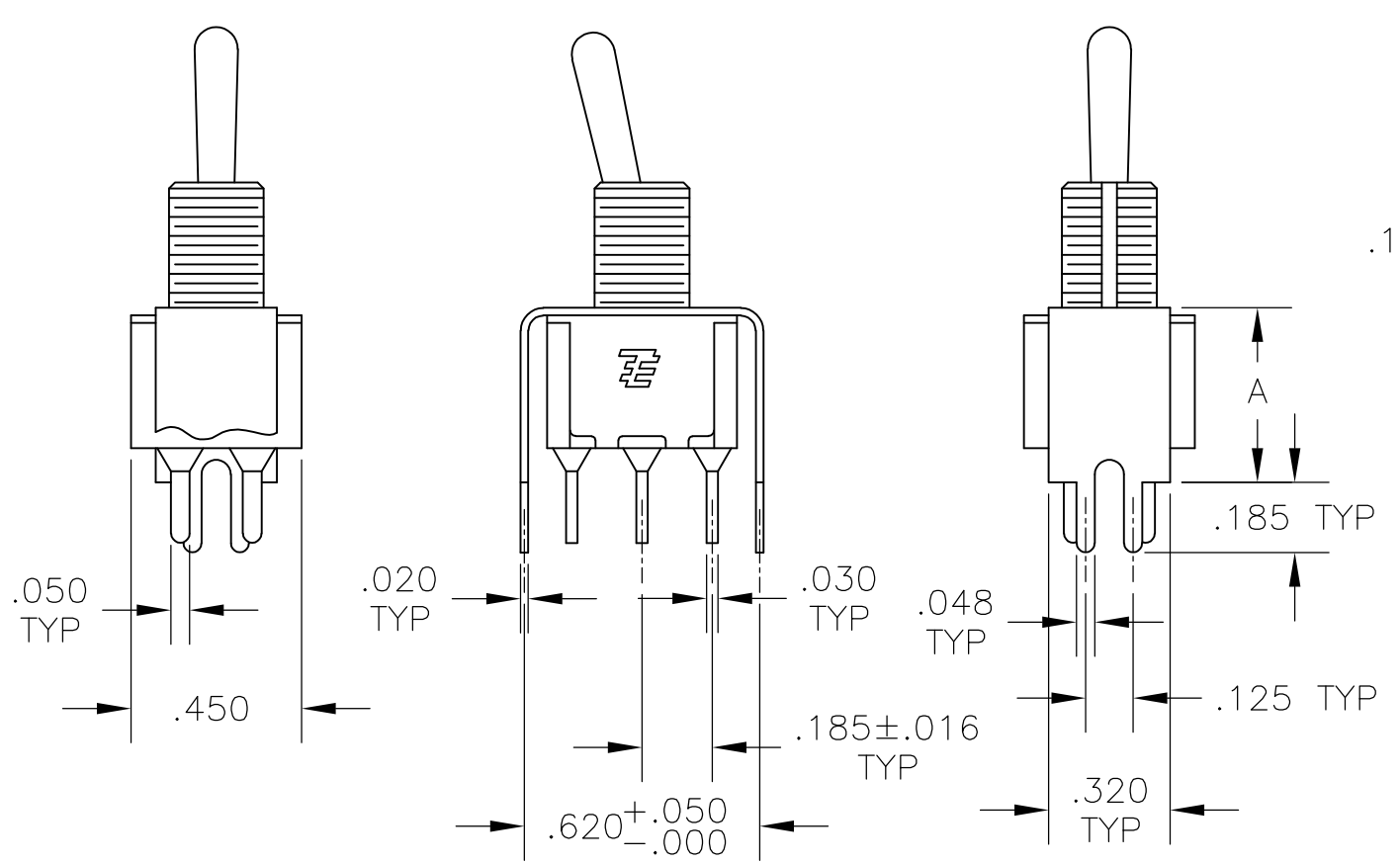
| OPTION | DIM A |
|--------|-------|
| W | .736 |
| W4 | 1.062 |



W W4 WIRE WRAP



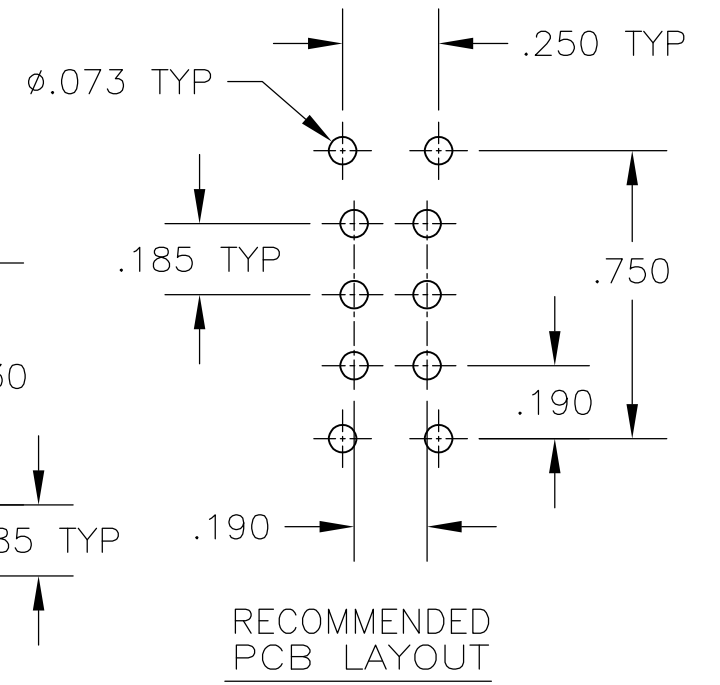
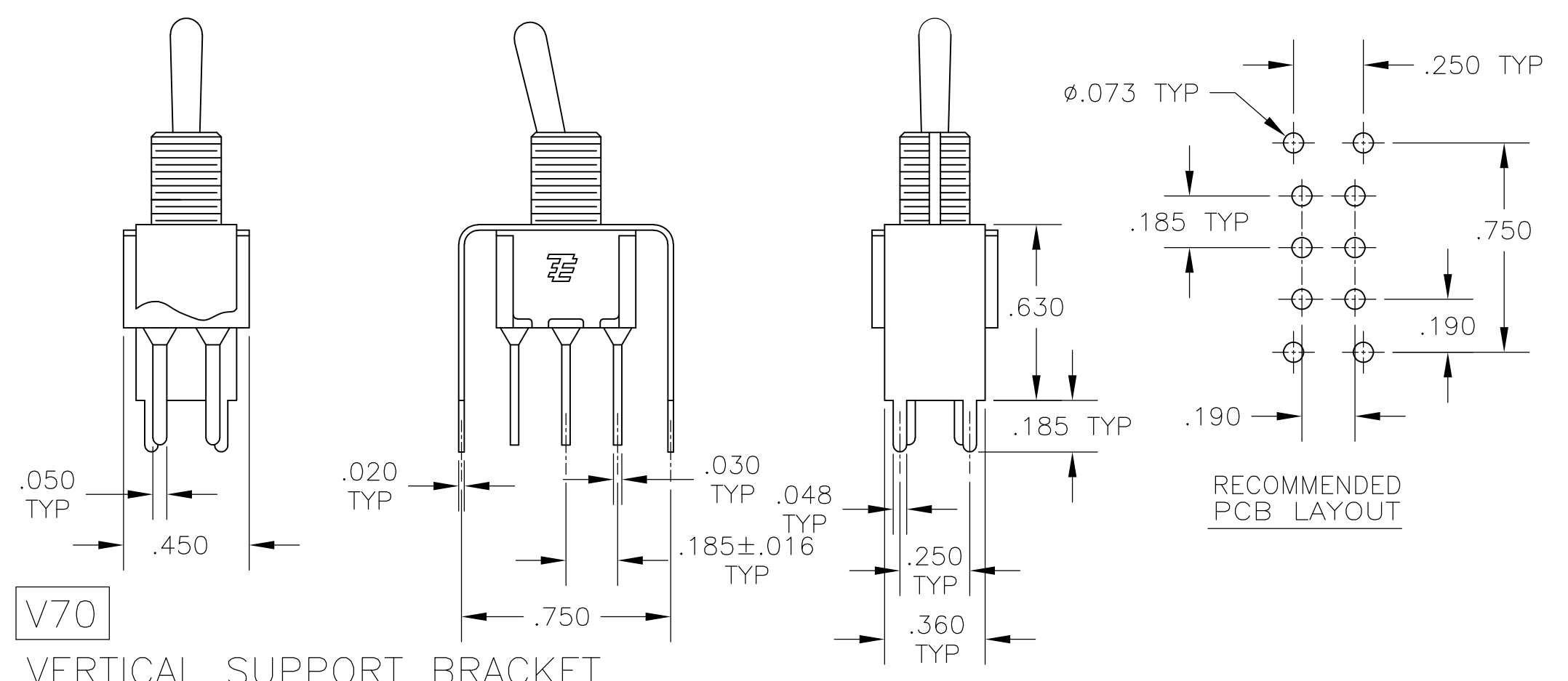
C PRINTED CIRCUIT



V30 V40 $\triangle 5$
 VERTICAL SUPPORT BRACKET

| OPTION | DIM A |
|--------|-------|
| V30 | .460 |
| V40 | .630 |

V70
 VERTICAL SUPPORT BRACKET



THIS DRAWING IS A CONTROLLED DOCUMENT.

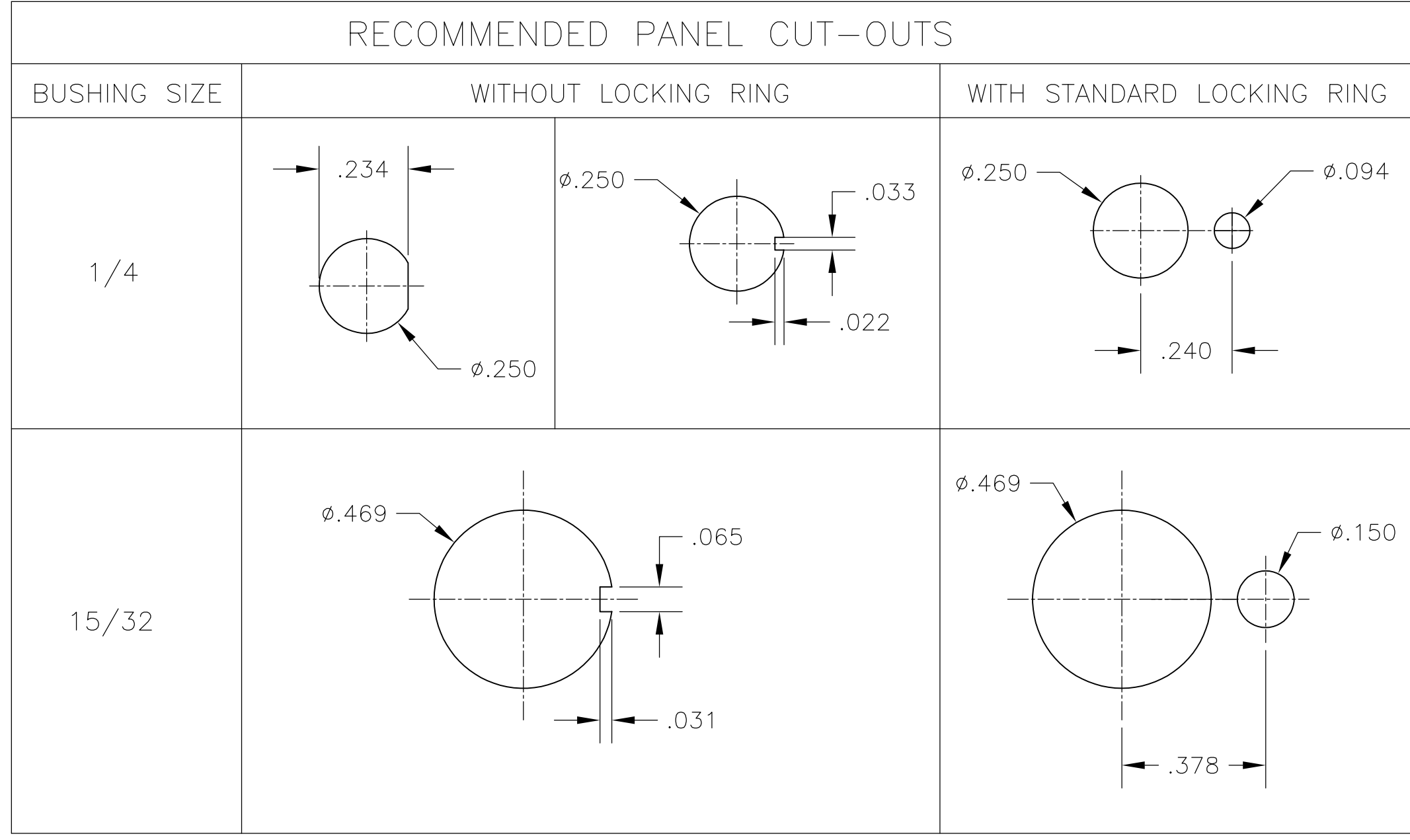
| | | | |
|--------------------|--|---------------------|-----------------|
| DIMENSIONS: INCHES | TOLERANCES UNLESS OTHERWISE SPECIFIED: | DWN M. ZITTO | 14APR05 |
| | 0 PLC ± - | CHK M. ZITTO | - |
| | 1 PLC ± - | APVD P. BROUILLETTE | - |
| | 2 PLC ± - | PRODUCT SPEC | - |
| | 3 PLC ± .010 | APPLICATION SPEC | - |
| | 4 PLC ± - | WEIGHT | - |
| | ANGLES ± - | CUSTOMER DRAWING | - |
| MATERIAL | FINISH | SIZE A2 | CAGE CODE 00779 |
| | | DRAWING NO | C=1825138 |
| | | RESTRICTED TO | - |
| | | SCALE | 2:1 |
| | | SHEET | 3 of 4 |
| | | REV | A4 |

TE TE Connectivity
 GEMINI A SERIES TOGGLE SWITCH, DOUBLE POLE, 2 POSITION FUNCTIONS (01 & 08)

THIS DRAWING IS UNPUBLISHED. RELEASED FOR PUBLICATION
 © COPYRIGHT - By - ALL RIGHTS RESERVED.

| LOC | DIST | REVISIONS | | | | | |
|-----|------|-----------|-----|-------------|------|-----|------|
| AD | 00 | P | LTR | DESCRIPTION | DATE | DWN | APVD |
| | | - | - | SEE SHEET 1 | - | - | - |

| Alco P/N | P/N | |
|----------------|-------------|-------------|
| A201KAB04 | 1825138-1 | |
| A201KD9AQ04 | 1825138-2 | |
| A201KZQ04 | 1825138-3 | |
| not assigned | 1825138-4 | |
| A201L1D9V30Q04 | 1825138-5 | |
| A201MD9AB04 | 1825138-6 | |
| A201MD9AQ04 | 1825138-7 | |
| A201MD9AV2B04 | 1825138-8 | |
| A201MD9AV2Q04 | 1825138-9 | |
| A201MDAQ04 | 1-1825138-0 | |
| not assigned | 1-1825138-1 | |
| A201MYAQ04 | 1-1825138-2 | |
| A201MYCB04 | 1-1825138-3 | |
| A201MYZQ04 | 1-1825138-4 | |
| A201P3ZQ04 | 1-1825138-5 | |
| A201SCWZB04 | 1-1825138-6 | |
| A201SD9AQ04 | 1-1825138-7 | |
| A201SD9AV2Q04 | 1-1825138-8 | |
| A201SDCB04 | 1-1825138-9 | |
| A201SDZQ04 | 2-1825138-0 | |
| A201SY9AB04 | 2-1825138-1 | |
| A201SYAB04 | 2-1825138-2 | |
| A201SYAQ04 | 2-1825138-3 | |
| A201SYCB04 | 2-1825138-4 | |
| A201SYCQ04 | 2-1825138-5 | |
| A201SYWQ04 | 2-1825138-6 | |
| A201SYZB04 | 2-1825138-7 | |
| A201SYZQ04 | 2-1825138-8 | |
| A201T1ZQ04 | 2-1825138-9 | |
| not assigned | 3-1825138-0 | |
| A201TZQ04 | 3-1825138-1 | |
| A208KZG04 | 3-1825138-2 | |
| A208P3ZQ04 | 3-1825138-3 | |
| A208SD9AQ04 | 3-1825138-4 | |
| A208SD9AV2Q04 | 3-1825138-5 | |
| A208SYCB04 | 3-1825138-6 | |
| A208SYCQ04 | 3-1825138-7 | |
| A208SYZQ04 | 3-1825138-8 | |
| A208T1ZQ04 | 3-1825138-9 | |
| A208TZQ04 | 4-1825138-0 | |
| A208SDCQ04 | 4-1825138-1 | PRELIMINARY |
| A201P3V30G04 | 4-1825138-2 | PRELIMINARY |
| A203MD9AQ-UL | 4-1825138-3 | PRELIMINARY |
| A201MCWCB04 | 4-1825138-4 | PRELIMINARY |
| A201SCWCB04 | 4-1825138-5 | PRELIMINARY |



MATERIALS CHART

| COMPONENT NAME | BASE MATERIAL | FINISH |
|------------------------|---------------------------|------------------|
| CASE | DAP, RED, UL94 V-0 | |
| FRAME | STAINLESS STEEL | |
| B TERMINALS & CONTACTS | COPPER | GOLD OVER NICKEL |
| G TERMINALS & CONTACTS | COPPER | GOLD OVER SILVER |
| Q TERMINALS & CONTACTS | COPPER | .000400 SILVER |
| ACTUATOR | PHENOLIC, BLACK, UL94 V-1 | |
| LEVER | BRASS | CHROME |
| BUSHING | BRASS | NICKEL |
| SPRING | MUSIC WIRE | |
| SUPPORT BRACKET | BRASS | TIN |
| PIVOT PIN | STEEL | NICKEL |
| LOCK WASHER | STAINLESS STEEL | |
| LOCKING RING | STAINLESS STEEL | |
| NUTS | C3604BD BRASS | NICKEL |
| TERMINAL SEAL | EPOXY | |

| | | | | |
|--|--|------------------------|---------|--|
| THIS DRAWING IS A CONTROLLED DOCUMENT. | | DWN M. ZITTO | 14APR05 | TE TE Connectivity |
| DIMENSIONS: INCHES | | CHK M. ZITTO | | |
| TOLERANCES UNLESS OTHERWISE SPECIFIED: | | APVD P. BROUILLETTE | | NAME GEMINI A SERIES TOGGLE SWITCH, DOUBLE POLE, 2 POSITION FUNCTIONS (01 & 08) |
| 0 PLC ± - 1 PLC ± - 2 PLC ± - 3 PLC ± .010 4 PLC ± - ANGLES ± - FINISH - | | PRODUCT SPEC | | |
| MATERIAL | | APPLICATION SPEC | | SIZE A2 |
| | | WEIGHT | - | CAGE CODE 00779 |
| | | CUSTOMER DRAWING | | DRAWING NO 1825138 |
| | | SCALE | 3:1 | RESTRICTED TO |
| | | SHEET | 4 of 4 | REV A4 |

1825138