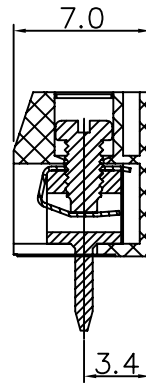
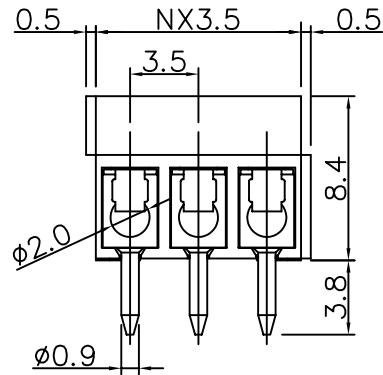
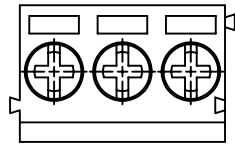
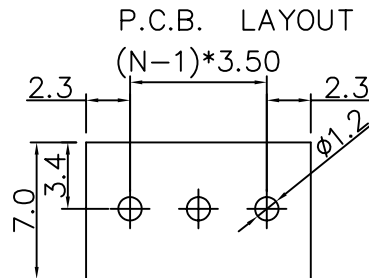


SPECIFICATIONS

Contact(metal housing): Brass (CuZn)
 Terminal screw: Steel galvanized and chromitize
 or Nickel plated or Tin plted(standard)(optian)
 Wire guard: Stainless steel
 Surface of solder tail: tin plated
 Insulator body(housing): Polyamide(Glass filled)(UL94V-0)
 Voltage rating: 125VAC
 Current rating: 10 Amps/way max
 Contact resistance: 20 Milliohms Max
 Insulation resistance: 5000 Megohms/1000V
 Withsanding Voltage: 1500VAC(lmim) Test time=60sec/1pcs
 Wire range: 16-26AWG
 Torque: 1.5kg-cm/M2
 Operating temperature: -33°C to +120°C
 Soldering ability: 95% Coverage Min
 Test temperature= 230°C±10°C
 Test time= 4 Sec±0.5 Sec
 Soldring reliability:
 Test temperature= 250°C±10°C
 5 seconds max



N=Number of contacts



4UCON 元化興業股份有限公司
 4UCON TECHNOLOGY INC.

DRAWING No.
 10683

APPROVED BY MEI
 CHECKED BY BECKY
 DRAWING BY HZF

UNLESS OTHERWISE SPECIFIED
 TOLERANCES ARE
 .X ±0.30
 .XX ±0.10
 ANG. ±1°

SCALE NONE

REV. A0

UNIT mm

NO. REV.

REVISIONS

MEI
 CHK DATE